

THIS DRAWING IS UNPUBLISHED.

RELEASED FOR PUBLICATION

ALL RIGHTS RESERVED.

© COPYRIGHT - By -

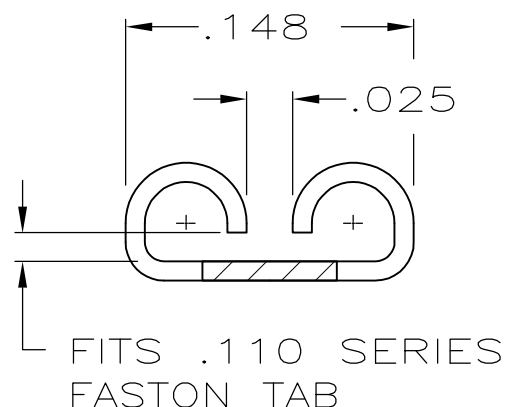
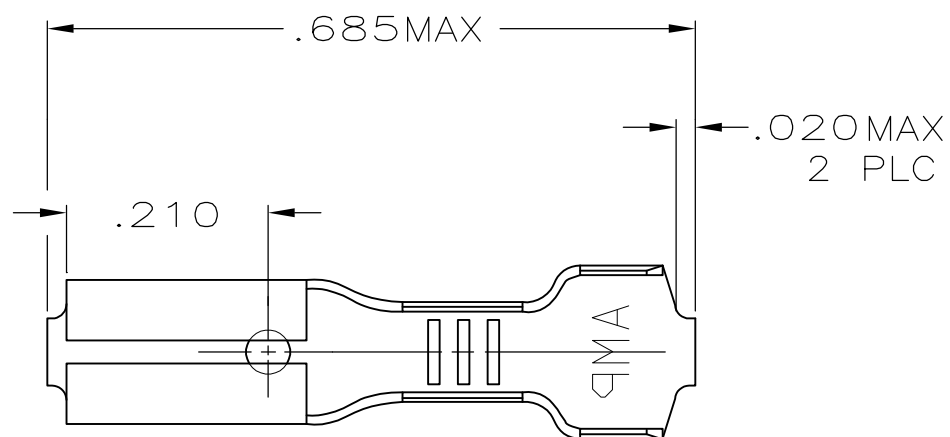
LOC
AF

DIST
50

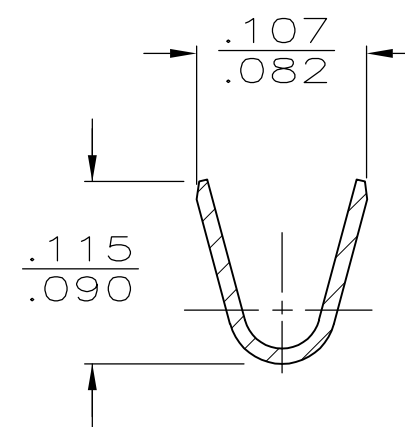
REVISIONS

P	LTR	DESCRIPTION	DATE	DWN	APVD
	K	REVISED PER ECR-12-013445	18OCT12	KH	PD

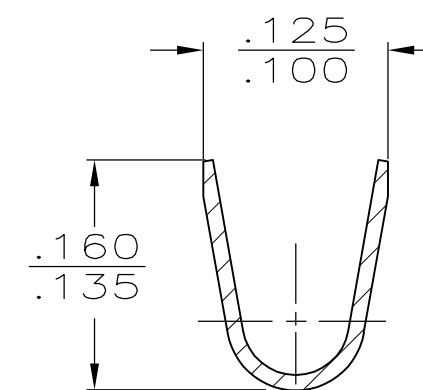
1 SUPPLIED IN LOOSE PIECE



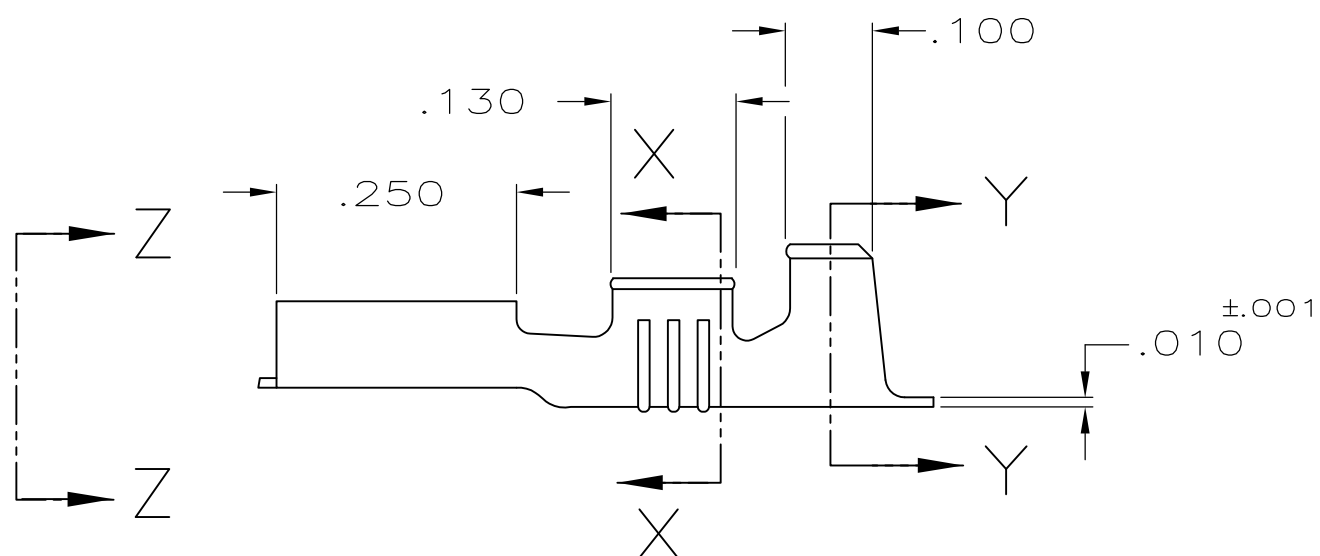
VIEW Z-Z




SECTION X-X
SCALE 10:1



SECTION Y-Y
SCALE 10:1



OBSOLETE	GOLD	.060-.100	22-18 AWG	.020	42470-2
	PRE-TIN	.060-.100	22-18 AWG	.020	42470-1
	FINISH	INSUL RANGE	WIRE SIZE	MATING TAB THK ±.001	PART NO

THIS DRAWING IS A CONTROLLED DOCUMENT.		DWN JR RUTH 12/20/90	 TE Connectivity RECEPTACLE, FASTON, .110 SERIES					
DIMENSIONS: INCHES		CHK MS FEHER 12/20/90				NAME		
TOLERANCES UNLESS OTHERWISE SPECIFIED:		APVD C MEYERS 12/21/90				SIZE		
0 PLC ± - 1 PLC ± - 2 PLC ± - 3 PLC ± .015 4 PLC ± - ANGLES ± -		PRODUCT SPEC				CAGE CODE		
MATERIAL BRASS		FINISH SEE TABLE	APPLICATION SPEC	DRAWING NO A300779 C-42470		RESTRICTED TO		
CUSTOMER DRAWING			WEIGHT -	SCALE 5:1	SHEET 1 OF 1	REV K		